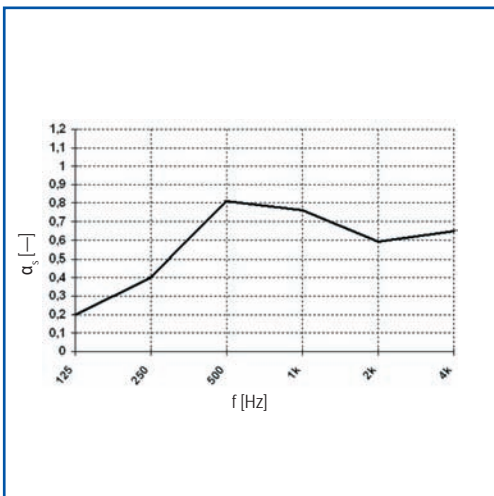
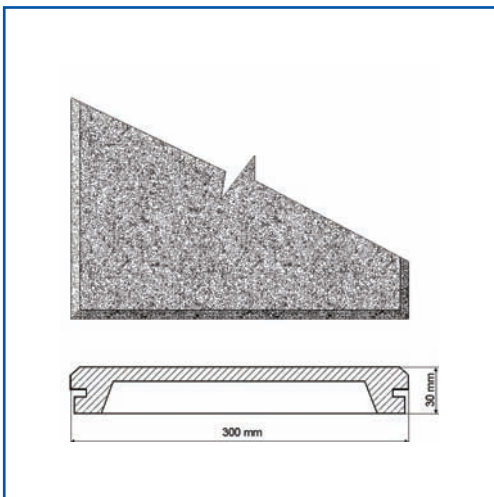
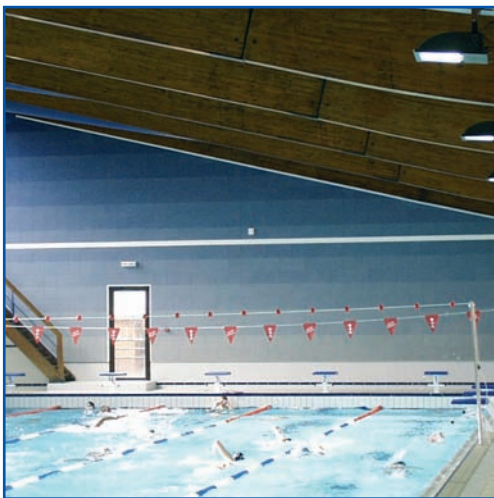


SONIT D30

ACOUSTIC WALL CLADDING



DESCRIPTION

Absorbing wall lining for internal and external application with natural stone effect. The material is non-flammable, clean for ecology (without fibres) and with good mechanic, climatic and chemical resistance.

SHAPE: The slab with plane face, bevelled corners and cavity on the rear back. Two opposite sides have a slot to install into the framework.

MATERIAL: Sized coloured sand, bound with use of epoxide composition. For need of external application, the face of wall lining is provided with silicone enamel protection coat.

DIMENSIONS: 300 × 300 × 30 mm

WEIGHT: 2,75 kg/piece (30 kg/m²)

COLOURS AND SURFACE FINISH: Natural stone grading, for interior – single-coloured and pepper-and-salt; for exterior – single-coloured with wide colour scale, according to the samplers.

ACOUSTICS:

- acoustic absorption on middle and high frequencies

- NRC = 0,65

- $\alpha_w = 0,65$

- air soundproof index: $R_w = 13$ dB

OTHER FEATURES:

- bulk density: 1575 kg/m³

- compression strength: 12 MPa

- inflammability: A – non-flammable,

A2-s2,d0 according to ČSN EN 13 501-1:2003

- weather resistance: -30 to + 60°C, frostproof (50 cycles)

- thermal conductivity coefficient: 0,717 Wm⁻¹K⁻¹

- hygiene: does not contain mineral fibres and heavy metals, certified for usage in health services and food industry

- chemical resistance: withstands diluted solutions of lyes and acids, oil products, chemical defrosting agents

APPLICATION

Acoustical treatment of lounges and industrial plants inclusive of interiors with possible higher humidity of air (pools, filling rooms, bottling rooms), acoustic treatment of exteriors (lining in environment of air-conditioning units).

INSTALLATION

The lining is installed on the wall with air cavity on the metal framework, that has surface finish of ground coat or zinc plated. Area between frame and the wall can be used for technologic distribution. The lining can be dry cut to required dimension with use of diamond-charged grinding wheel or disk sander. Holes in lining (e.g. sockets and switches) can be drilled with heavy metal tools.

MAINTENANCE

Dust on the lining can be cleaned with vacuum cleaner. In case of hard impurity use a solution of universal detergent in hot water and apply it with brush. Impurities from oil products can be cleaned with solvent.

PACKING

1 cardboard – 6 pieces, 15 cardboards upright in three layers on the pallet.

- room acoustics ▪ building acoustics ▪ electro-acoustics ▪ sound reinforcement ▪ industries noise ▪ traffic noise ▪ acoustic materials ▪ measurement ▪ study ▪ designing ▪ supply ▪ realization